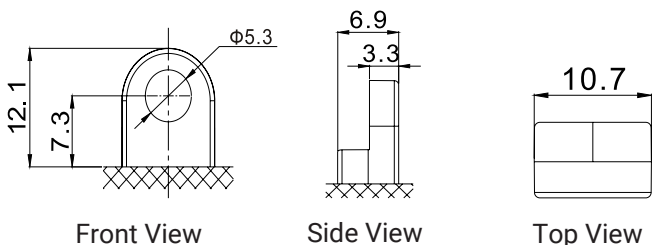




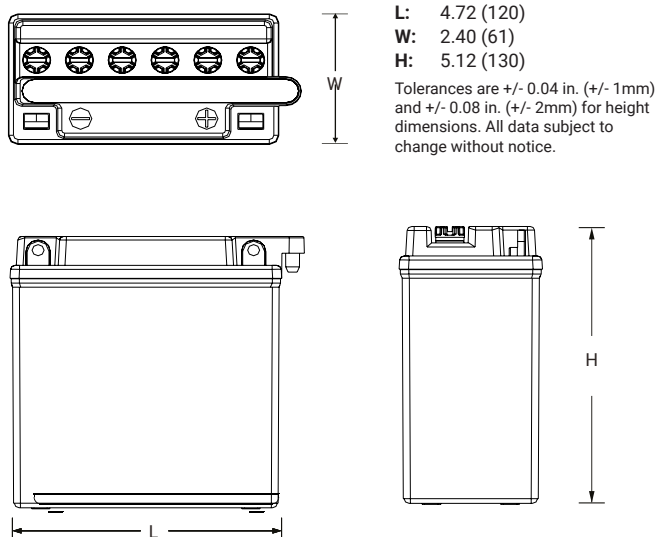
## 12N5-3B 40 CCA 12V 5AH @ 10-hr.

Conventional Lead Acid Powersport Battery  
Super Sport Series

### TERMINALS: (mm)



### DIMENSIONS: inch (mm)



# SUPER SPORT

## CONVENTIONAL BATTERY

### FEATURES

- Conventional lead acid battery
- Engineered to protect against corrosion and withstand vibration
- Dry pre-charged battery construction
- Delivers high cranking power
- Acid pack and vent tube included for initial filling
- Long shelf life, with no need to recharge before initial filling
- Suitable for all weather conditions
- Requires ongoing maintenance

### PERFORMANCE SPECIFICATIONS

<b>Nominal Voltage</b>	12 volts
<b>Rated Capacity</b>	
10-hr. (0.50A)	5.00 AH
5-hr. (0.82A)	4.10 AH
2-hr. (1.75A)	3.50 AH
1-hr. (3.00A)	3.00 AH
0.5-hr. (5.40A)	2.70 AH
<b>Cold Cranking Amps (CCA)</b>	40
<b>Cranking Amps (CA)</b>	50
<b>Approximate Battery Weight (with acid)</b>	4.67 lbs. (2.12 kg)
<b>Approximate Electrolyte Weight</b>	1.17 lbs. (0.53 kg)
<b>Self Discharge (77°F (25°C))</b>	Approximately 3% per month
<b>The Effect of Temperature on Capacity</b>	
104 °F (40°C)	106%
77 °F (25°C)	100%
32 °F (0°C)	86%
5 °F (-15°C)	65%
<b>Case</b>	ABS Plastic
<b>Recommended Charger</b>	Please contact Power Sonic

### GLOBAL HEADQUARTERS (USA AND INTERNATIONAL EXCLUDING EMEA)

Power-Sonic Corporation  
365 Cabela Dr Suite 300,  
Reno, Nevada 89523  
USA  
T: +1 619 661 2020  
E: customer-service@power-sonic.com

### POWER-SONIC EMEA (EMEA – EUROPE, MIDDLE EAST AND AFRICA)

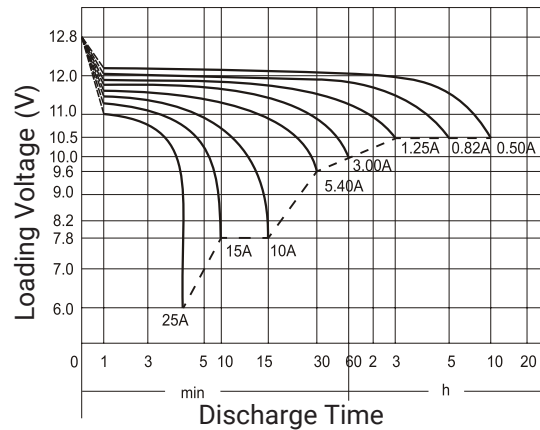
Smitspol 4, 3861 RS Nijkerk,  
The Netherlands  
T NL: + 31 33 7410 700  
T UK: + 44 1268 560 686  
T FR: + 33 344 32 18 17  
E: salesEMEA@power-sonic.com



**12N5-3B** 40 CCA  
12V 5Ah @ 10-hr.

Conventional Lead Acid Powersport Battery  
Super Sport Series

**DISCHARGE CHARACTERISTICS**



**CHARGING**

**Constant Voltage Charge:** Apply constant voltage charge at 14.4 V - 15.0 V at 77°F (25°C). Initial charging current should be set at less than 1.5 Amps. Charging time 16 - 24 hours.

**Constant Current Charge:** Charging current 0.1C=0.5 Amps, when charging voltage up to 15.6 V, continue to charge 2 hours.

**“Float” or “Stand-By” Charge:** Apply constant voltage charge of 13.5 V - 13.8 V at 77°F (25°C). When held at this voltage, the battery will seek its own current level and maintain itself in a fully charged condition.

**Temperature Compensation:** Charging voltage should be regulated in relation to ambient temperature. As temperature rises charging voltage should be reduced to prevent overcharge and increased as temperature falls to avoid undercharge.

For further charging information including temperature

**APPLICATIONS**

- Motorcycle
- Scooter
- ATV
- Watersport
- UTV
- Snowmobile
- Lawn & Garden

**GLOBAL HEADQUARTERS**  
(USA AND INTERNATIONAL EXCLUDING EMEA)

**Power-Sonic Corporation**  
365 Cabela Dr Suite 300,  
Reno, Nevada 89523  
USA  
T: +1 619 661 2020  
E: customer-service@power-sonic.com

**POWER-SONIC EMEA**  
(EMEA – EUROPE, MIDDLE EAST AND AFRICA)

Smitspol 4, 3861 RS Nijkerk,  
The Netherlands  
T NL: + 31 33 7410 700  
T UK: + 44 1268 560 686  
T FR: + 33 344 32 18 17  
E: salesEMEA@power-sonic.com

compensation factors, see Power Sonic Technical Manual/Power Sonic Charger specifications.

**CHARGERS**

Power Sonic offers a wide range of chargers suitable for batteries with a variety of capacities.

Please refer to our website for more information on our switch mode and transformer type chargers.

Please contact our technical department for advice if you have difficulty in locating a suitable charger.

**FURTHER INFORMATION**

Please refer to our website [www.power-sonic.com](http://www.power-sonic.com) for a complete range of useful downloads, such as product catalogs, material safety data sheets (MSDS), ISO certification, etc.