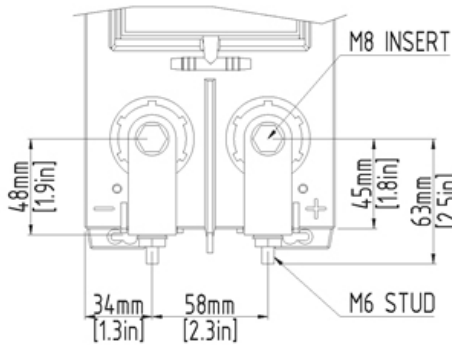


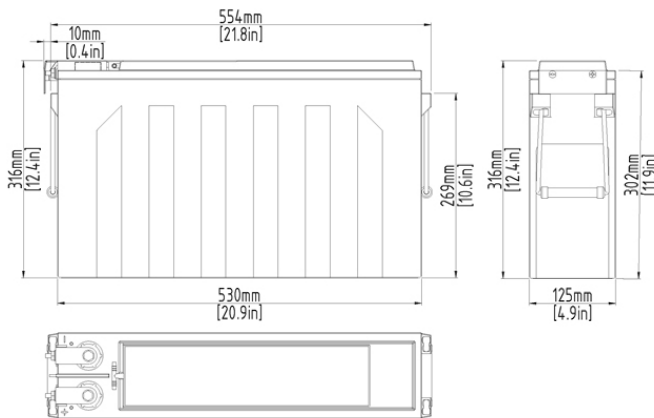
PSPL-12200 12V 222.0 AH @ 20-hr. 12V 210.0 AH @ 10-hr.

Rechargeable Pure Lead Acid Battery
PSPL – Pure Lead Series

TERMINALS: mm (inch)



DIMENSIONS: mm (inch)



L: 554 (21.8) W: 125 (4.9) H: 316 (12.4) HT: 302 (11.9)

Tolerances are +/- 0.11 in. (+/- 3mm) for all dimensions.
All data subject to change without notice.

CORPORATE HEADQUARTERS (USA AND INTERNATIONAL EXCLUDING EMEA)

Power-Sonic Corporation
7550 Panasonic Way, San Diego,
California 92154
T: +1 (619) 661 2020
F: +1 (619) 661 3650
E: customer-service@power-sonic.com

POWER-SONIC EUROPE LIMITED (EMEA – EUROPE, MIDDLE EAST AND AFRICA)

3 Buckingham Square,
Hurricane Way, Wickford,
Essex SS11 8YQ
T: +44 (0)1268 560686
F: +44 (0)1268 560902
E: salesEMEA@power-sonic.com

FEATURES

- TTPL (Thin Plate Pure Lead) technology provides superior cyclic and float performance
- High stable voltage delivery
- Durable to the harshest environments
- Rapid charging acceptance
- Shelf life more than double that of conventional lead acid batteries
- Wide operating temperature
- Front terminal design suited for 19" & 21" cabinets
- Flame Retardant ABS Plastic UL94:V-0

APPROVALS

- Approved for transport by air. D.O.T., I.A.T.A., F.A.A. and C.A.B. certified
- U.L. recognized
- ISO9001:2015 – Quality management systems

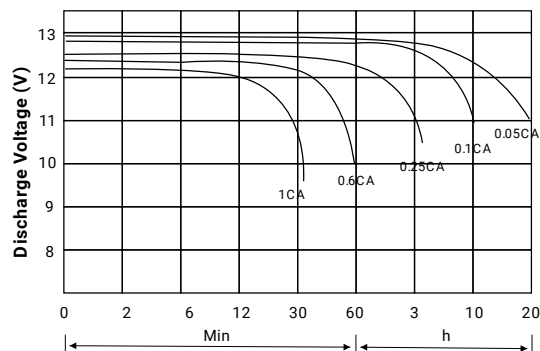
PERFORMANCE SPECIFICATIONS

Nominal Voltage	12 volts (6 cells)	
Rated Capacity		
20-hr. (11.1A to 10.80 volts)		222.0 AH
10-hr. (21.0A to 10.80 volts)		210.0 AH
5-hr. (36.6A to 10.50 volts)		183.0 AH
1-hr. (136A to 10.02 volts)		163.0 AH
Approximate Weight	132 lbs. (60.0 kg)	
Internal Resistance (approx.)	4.25 milliohms	
Shelf Life (% of nominal capacity at 68°F (20°C))		
1 Month		98.5%
3 Month		97%
6 Month		91%
Operating Temperature Range		
Charge	5°F (-15°C) to 122°F (50°C)	
Discharge	-4°F (-20°C) to 140°F (60°C)	
Case	Flame Retardant ABS Plastic UL94:V-0	

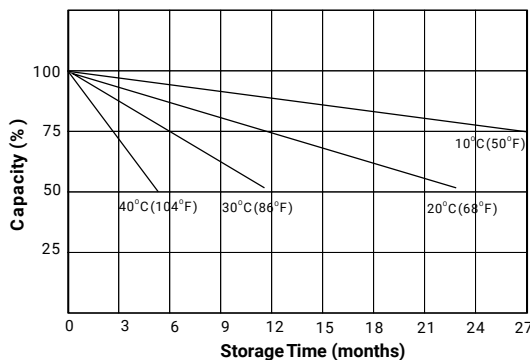
PSPL-12200 12V 222.0 AH @ 20-hr. 12V 210.0 AH @ 10-hr.

Rechargeable Pure Lead Acid Battery
PSPL – Pure Lead Series

TERMINAL VOLTAGE (V) VS. DISCHARGE TIME (25°C, 77°F)



CAPACITY RETENTION CHARACTERISTIC



CHARGING

Cycle Applications: Apply constant voltage charge at 2.35v/c – 2.45v/c (14.1 – 14.7v for 12v Monobloc) at 20°C. Initial charging current should be set at less than 0.25C Amps. Switch to float charge to avoid overcharging.

“Float” or “Stand-By” Service: Apply constant voltage charge of 2.25v/c – 2.30v/c (13.5 to 13.8 volts for 12v Monobloc) at 20°C. When held at this voltage, the battery will seek its own current level and maintain itself in a fully charged condition.

Temperature Compensation: Charging Voltage for both Cyclic and Standby applications should be regulated in relation to ambient temperature. As temperature rises charging voltage should be reduced to prevent overcharge and increased as temperature falls to avoid undercharge.

For further charging information including temperature compensation factors, see Power Sonic Technical Manual/ Power Sonic Charger specifications.

APPLICATIONS

- UPS
- Data Centre
- Telecommunications
- Emergency Lighting
- Utility

CORPORATE HEADQUARTERS (USA AND INTERNATIONAL EXCLUDING EMEA)

Power-Sonic Corporation
7550 Panasonic Way, San Diego,
California 92154
T: +1 (619) 661 2020
F: +1 (619) 661 3650
E: customer-service@power-sonic.com

POWER-SONIC EUROPE LIMITED (EMEA – EUROPE, MIDDLE EAST AND AFRICA)

3 Buckingham Square,
Hurricane Way, Wickford,
Essex SS11 8YQ
T: +44 (0)1268 560686
F: +44 (0)1268 560902
E: salesEMEA@power-sonic.com

CHARGERS

Power Sonic offers a wide range of chargers suitable for batteries with a variety of capacities.

Please refer to our website for more information on our switch mode and transformer type chargers.

Please contact our technical department for advice if you have difficulty in locating a suitable charger.

FURTHER INFORMATION

Please refer to our website www.power-sonic.com for a complete range of useful downloads, such as product catalogs, material safety data sheets (MSDS), ISO certification, etc.

